



SAMSUNG TECHWIN

# 750TVL IR Cameras





## SCO-L2023RP/L2033RP/ L2043RP SCD-L2023RP

High Resolution 750TVL IR Camera

- 750TV lines high resolution
- 1.3M CMOS
- 0Lux (IR LED on),  
IR Distance 30m (SCO-L2023RP/L2033RP/SCD-L2023RP)  
IR Distance 50m (SCO-L2043RP)
- Day & Night (ICR)
- IP66 (SCO-L2023RP/L2033RP/L2043RP)

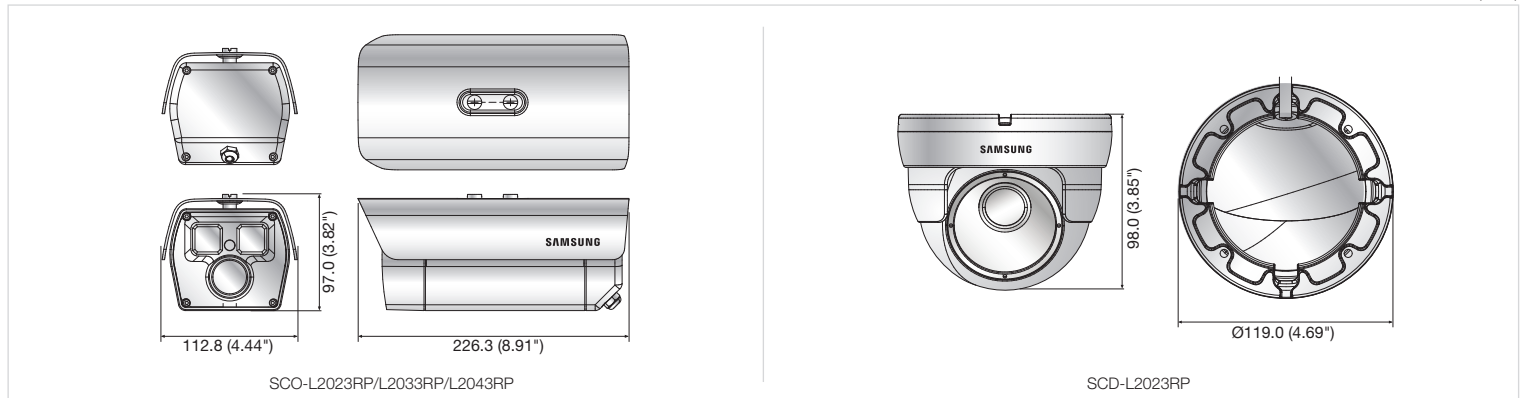


# SCO-L2023RP/L2033RP/L2043RP/SCD-L2023RP

	SCO-L2023RP	SCO-L2033RP	SCO-L2043RP	SCD-L2023RP
   				
<b>VIDEO</b>				
Imaging Device	1/3" CMOS	1/3" CMOS	1/3" CMOS	1/3" CMOS
Total Pixels	1.3Megapixels	1.3Megapixels	1.3Megapixels	1.3Megapixels
Effective Pixels	1,280(H) x 960(V)	1,280(H) x 960(V)	1,280(H) x 960(V)	1,280(H) x 960(V)
Scanning System	Progressive scanning	Progressive scanning	Progressive scanning	Progressive scanning
Synchronization	Internal	Internal	Internal	Internal
Frequency	PAL - H : 15.625KHz / V : 50Hz	PAL - H : 15.625KHz / V : 50Hz	PAL - H : 15.625KHz / V : 50Hz	PAL - H : 15.625KHz / V : 50Hz
Horizontal Resolution	Color : 750TV lines	Color : 750TV lines	Color : 750TV lines	Color : 750TV lines
Min. Illumination	B/W : 0Lux (IR LED on)	B/W : 0Lux (IR LED on)	B/W : 0Lux (IR LED on)	B/W : 0Lux (IR LED on)
S / N Ratio	58dB	58dB	58dB	58dB
Video Output	CVBS : 1.0 Vpp / 75Ω composite	CVBS : 1.0 Vpp / 75Ω composite	CVBS : 1.0 Vpp / 75Ω composite	CVBS : 1.0 Vpp / 75Ω composite
<b>LENS</b>				
Focal Length (Zoom Ratio)	3.6mm (Fixed)	6mm (Fixed)	8mm (Fixed)	3.6mm (Fixed)
Max. Aperture Ratio	F1.8 ±5%	F1.8 ±5%	F1.4 ±5%	F1.8 ±5%
Angular Field of View	H : 78° / V : 62.5° / D : 100°	H : 46.5° / V : 34.5° / D : 59.3°	H : 33.4° / V : 25° / D : 42.6°	H : 78° / V : 62.5° / D : 100°
Min. Object Distance	0.2m (0.66ft)	0.2m (0.66ft)	0.2m (0.66ft)	0.2m (0.66ft)
Lens Type	Fixed	Fixed	Fixed	Fixed
Mount Type	Board type	Board type	Board type	Board type
<b>PAN / TILT / ROTATE</b>				
Pan Range	N/A	N/A	N/A	0° ~ 360°
Tilt Range	N/A	N/A	N/A	25° ~ 90°
Rotate Range	N/A	N/A	N/A	0° ~ 360°
<b>OPERATIONAL</b>				
Day & Night	ICR	ICR	ICR	ICR
Digital Noise Reduction	Auto	Auto	Auto	Auto
Gain Control	Auto	Auto	Auto	Auto
White Balance	Auto	Auto	Auto	Auto
Shutter Mode	Auto	Auto	Auto	Auto
IR Distance	30m (Within 3 <sup>rd</sup> generation IR LED - Array, 2ea)	30m (Within 3 <sup>rd</sup> generation IR LED - Array, 2ea)	50m (Within 3 <sup>rd</sup> generation IR LED - Array, 2ea)	30m (Within 3 <sup>rd</sup> generation IR LED - Array, 1ea)
<b>ENVIRONMENTAL</b>				
Operating Temperature / Humidity	-10°C ~ +55°C (+14°F ~ +131°F) / Less than 90% RH	-10°C ~ +55°C (+14°F ~ +131°F) / Less than 90% RH	-10°C ~ +55°C (+14°F ~ +131°F) / Less than 90% RH	-10°C ~ +55°C (+14°F ~ +131°F) / Less than 90% RH
Ingress Protection	IP66	IP66	IP66	N/A
<b>ELECTRICAL</b>				
Input Voltage / Current	12V DC ±10%	12V DC ±10%	12V DC ±10%	12V DC ±10%
Power Consumption	Max. 5W	Max. 5W	Max. 5W	Max. 3.5W
<b>MECHANICAL</b>				
Color / Material	White / Metal	White / Metal	White / Metal	White / Metal
Dimensions (WxHxD)	112.8 x 97.0 x 226.3mm (4.44" x 3.82" x 8.91")	112.8 x 97.0 x 226.3mm (4.44" x 3.82" x 8.91")	112.8 x 97.0 x 226.3mm (4.44" x 3.82" x 8.91")	Ø119.0 x 98.0mm (Ø4.69" x 3.85")
Weight	976g (2.15 lb)	976g (2.15 lb)	976g (2.15 lb)	576g (1.27 lb)

## Dimensions

Unit : mm (inch)



The Eco mark represents Samsung Techwin's will to create environment-friendly products, and indicates that the product satisfies the EU RoHS Directive.

Design and specifications are subject to change without notice.

### ■ DISTRIBUTED BY

#### SAMSUNG TECHWIN CO., LTD.

6, Pangyo-ro 319beon-gil, Bundang-gu, Seongnam-si, Gyeonggi-do, SEOUL 463-400 Rep. of KOREA  
Tel : +82-70-7147-8741 ~ 8749, 8752 ~ 8760 Fax : +82-31-8018-3745 www.samsungsecurity.com www.samsungcctv.com  
COPYRIGHT BY SAMSUNG TECHWIN. ALL RIGHT RESERVED

**SAMSUNG TECHWIN AMERICA INC.**  
100 Challenger Rd. Suite 700 Ridgeland Park, NJ 07660  
Toll Free : +1-877-213-1222 Direct : +1-201-325-6920  
Fax : +1-201-373-0124

**SAMSUNG TECHWIN EUROPE LTD.**  
2nd Floor, No. 5 The Heights, Brooklands, Weybridge,  
Surrey, KT13 0NY, UK  
Tel : +44-1932-82-6700 Fax : +44-1932-82-6701

**SHANGHAI SAMSUNG TECHWIN CO., LTD.**  
32F, Blk B, International Business Center,  
No. 391 Guiping Rd., Shanghai, China, 200233  
Tel : +86-21-5427-1155 Fax : +86-21-5423-5122



## SAMSUNG TECHWIN